

**DC INPUT:** 400-850Vdc  
**DC OUTPUT:** 22-32Vdc/125-143A; 4kW (set to 28Vdc)  
**CAN BUS:** For details regarding CAN communication please refer to COMMUNICATION MANUAL, document no. BCA.00155

## – CAUTIONS & NOTES –

**CAUTION:** These component level power supplies are intended exclusively for installation within other equipment by an industrial assembly operation or by professional installers. These are Class I power supplies; the unit must be properly connected to earth ground in end use. Component power supplies are to be installed in end-use equipment according to the requirements of the safety standard used for that equipment.

**PROTECTIVE EARTHING:** The Power Supply must be properly grounded to main protective earth termination in end use.

### ENVIRONMENTAL CONDITIONS:

#### TRANSPORTATION & STORAGE:

Ambient Temperature Range: -40°C to +85°C  
Relative Humidity Range: 5% to 95% at 25°C non-Condensing  
Altitude: -300m to 12 000m above sea level

#### OPERATION:

Coolant Temperature Range: -40°C to +70°C (at 100% load)  
Relative Humidity Range: 10% to 90% at 25°C non-Condensing  
Altitude: -150m to 3 000m above sea level

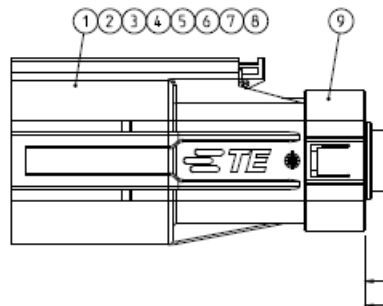
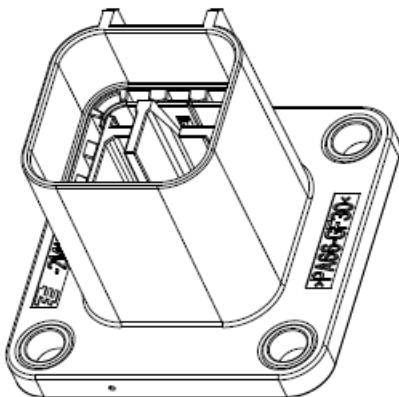
**NUCLEAR AND MEDICAL APPLICATIONS:** Bel Fuse products are not designed, intended for use in, or authorized for use as critical components in life support systems, equipment used in hazardous environments, or nuclear control systems without the express written consent of the respective divisional president of Bel Fuse.

**TECHNICAL REVISIONS:** The appearance of products, including safety agency certifications pictured on labels, may change depending on the date manufactured. Specifications are subject to change without notice.

### CONNECTORS DESCRIPTION:

#### INPUT

PSU side: MFG: TE connectivity (Tyco); PN: 2141272-1 (HVA630 KEY A)  
Mating: MFG: TE connectivity (Tyco); PN: 2177140-x (detail according "part list" table; KEY A, DWG: C-2177140)



Terminal 1 : +Vin – positive pole of input voltage  
Terminal 2 : - Vin – negative pole of input voltage

HVIL pins shorted internally

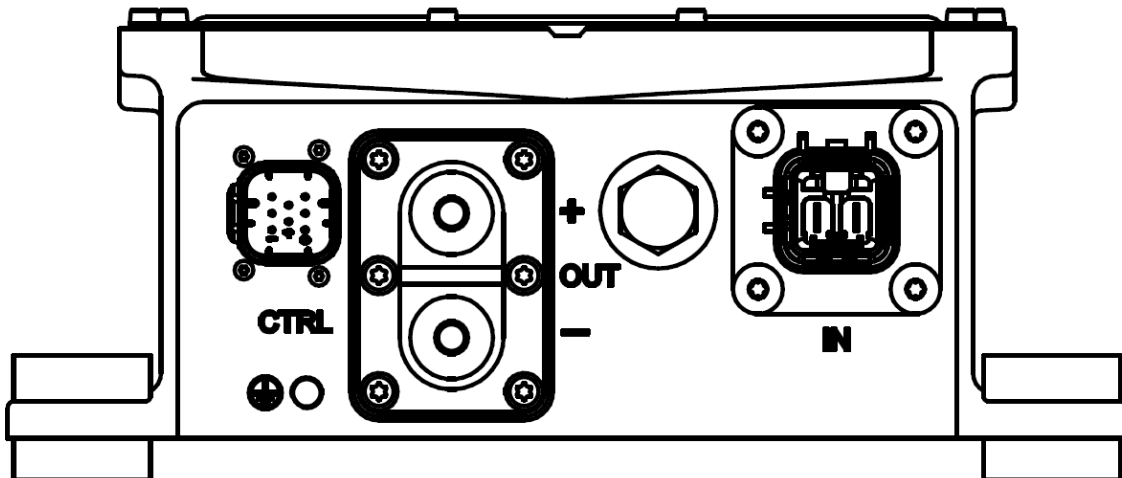
**SIGNAL (CTRL)**

Connector pin NO.	Signal
1	PS_WAKEUP
2	ADR0
3	ADR1
4	CAN_SPEDD
5	CAN_H
6	CAN_L
7	+ SENSE
8	- SENSE

Signal mating part: TYCO 776286-1

**OUTPUT**

Positive output: +Vo busbar  
Negative output: - Vo busbar



**CONNECTION EXAMPLE:**

